

P30.10
0416 EN



NEW STABILISED P30.10



New stabilised P30.10

Merlo has conceived a new high performance compact stabilised telehandler. Compactness, lifting capacity, traction, comfort and a high degree of safety are the special features of the new Merlo P30.10.

With a boom capable of reaching 10 metres in height and 3 tons in lifting, the new P30.10 has the same modular cab as its older brothers with a space and glazed surface that is unequalled in its category. With a maximum speed of 40 km/h and the possibility of lifting 3 tons to 10 metres in a stabilised configuration. A telescopic handler that has no equals on the market.

- ✓ Maximum speed 40 km/h: reduced shifting times
- ✓ The roomiest and widest cab in its category: 1010 mm
- ✓ Maximum visibility in every direction
- ✓ Compact dimensions: maximum width 2100mm
- ✓ Highly manoeuvrable: reduced turning radius
- ✓ High load-carrying capacity: maximum load at maximum height in a stabilised configuration

Cab

The new P30.10 has the same modular cab as its older brothers with a space and glazed surface that is unequalled in its category.

- ✓ The broadest cab in its category excellent comfort and visibility
- ✓ Dual Shuttle reverse control: maximum agility
- ✓ ROPS and FOPS level II type-approved: maximum safety
- ✓ Same cab as the larger models: pressurised according to ISO 10263-3



1. Joystick
2. Reverse shuttle
3. Display
4. New air conditioning system
5. Inching pedal-Control
6. Stabiliser commands





Engine and transmission

The Merlo designers have adopted technologically advanced diesel engines, evolved hydrostatic transmissions and axles equipped with dry disc brakes that help reduce power absorption. Electronic management of the diesel engine/transmission is electronic in order to optimise performance and minimise energy wastage.

- ✓ Powerful, fuel-efficient engine: 55 kW for a torque of 300 Nm
- ✓ Two-speed hydrostatic transmission: affordable and powerful
- ✓ Engines comply with anti-pollution standards with DOC (Diesel Oxidation Catalyst) and without DPF: streamlined maintenance and fewer worries for the operator
- ✓ New tapered bonnet: better visibility for better safety
- ✓ Hydraulic pump, Load Sensing 125 l/min at 210 bar
- ✓ Maximum speed 40 km/h: rapid transfers at a low cost

ENGINE

The new P30.10 uses the latest powerful engine:
Deutz TCD 2.9 Tier 4 Interim
55kW/75HP.
Max Torque 300 Nm.



Axles

Merlo designs and produces most of the components that make up its telehandlers. The axles are an integral part of every project and are designed and sized for better integration between the main parts.

- ✓ Axles designed and integrated in the project: maximum performance and excellent versatility
- ✓ Planetary reducers: low centre of gravity, maximum reliability and high traction
- ✓ Maximum steering angle
- ✓ Three steering modes: front wheels, coordinated turning and sideways crab for easy handling, efficient and effective working
- ✓ Four-wheel drive is always engaged: maximum traction in every condition
- ✓ Integral servo-braking: acts on all four wheels for maximum safety in every work context.
- ✓ Parking brake: activates when the engine is turned off or, when the engine is on, from the cab.
- ✓ Optional differential lock: for optimal disengagement on difficult terrain

THREE STEERING MODES

FRONT WHEEL STEERING



FOUR WHEEL COORDINATED STEERING



CRAB STEERING



Stabilisers

- ✓ Stabilisation in stowed position: maximum versatility
- ✓ Compactness and high reachable heights: suitable for all work sites
- ✓ Maximum load at maximum height: 3 tons at 10 metres
- ✓ Unique performance: compact, high performance
- ✓ Independent stabilisation: maximum adaptability

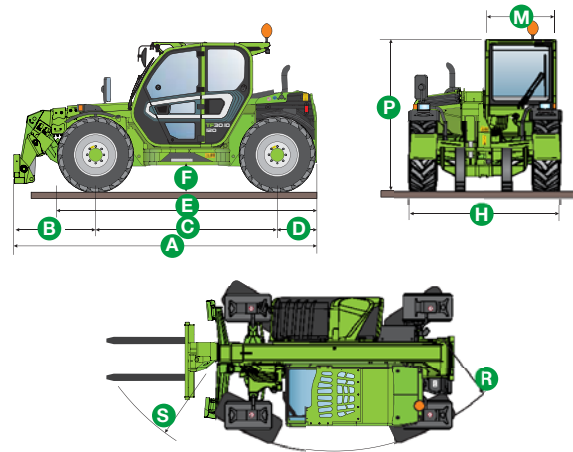


Technical information

The Merlo P30.10 compact handler is a high-profile professional system completing the Merlo range where high performance levels are needed in confined spaces. It is not a small handler but a great handler in a compact package.

PERFORMANCE AND FEATURES	P30.10
Total unladen mass, with forks (kg)	7100
Maximum capacity (kg)	3000
Lifting height (m)	9,6
Maximum reach (m)	6,5
Maximum operating height (m)	9,6
Maximum operating reach (m)	2,3
Capacity at maximum height (kg)	3000
Capacity at maximum reach (kg)	1000
Turbo motor (displacement/cylinders)	2.9/4
Tier 4 Interim motor power (kW/CV)	55/75
Maximum speed (km/h)	40
BSS hydro-pneumatic boom suspension	○
Fuel tank (l)	80
Hydraulic pump Load-Sensing (bar-l/min)	210/12
Fan Drive Pump (l/min)	46
Hydraulic oil tank (l)	85
FOPS (ISO 3449) and ROPS (ISO 3471) cab	●
Electromechanical joystick on/off command	●
Tac-Lock attachment locking	●
Hydrostatic transmission	●
Finger-Touch	●
Pedal-operated Inching control	●
Permanent four-wheel drive	●
Four-wheel steering	●
Standard tyres	405/70-20
Work headlights on cab	●
LED work headlights	○
Merlo CDC safety system	Light

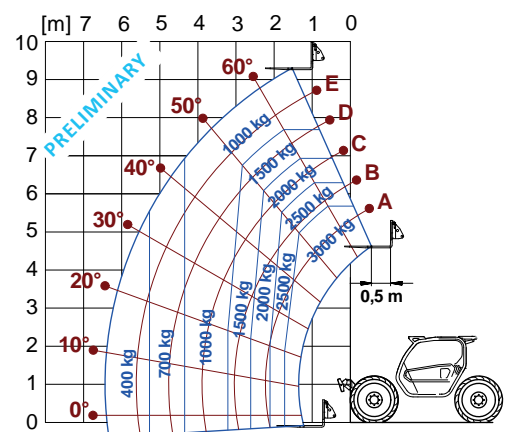
● As standard. ○ On request.



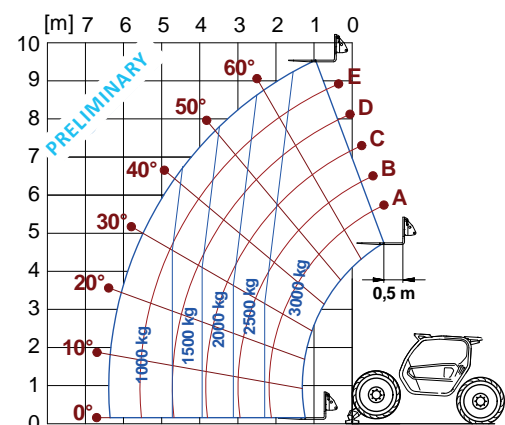
P30.10 DIMENSIONS

A (mm)	4600	D (mm)	595	H (mm)	2100	R (mm)	3930
B (mm)	1250	E (mm)	3910	M (mm)	1010	S (mm)	4250
C (mm)	2740	F (mm)	350	P (mm)	2120		

P30.10 WITH FORKS ON TYRES



P30.10 WITH FORKS ON STABILISERS



Merlo Group

The Merlo brand has always been synonymous with advanced technology in the telehandler field and the history of the company, which dates back to 1964, is distinguished by experience based on determination and passion. The development of complex products, from the idea to the result, from design to sales, means being able to propose orientations of the most competitive markets.

The outcome of our efforts are compact, easy to handle telehandlers ensuring incomparable operating performance, comfort, efficiency and safety.

At Agritechnica 2013, three important awards were received that clearly demonstrate the technological and innovative superiority of our products:

- ✓ Turbofarmer 42.7 Hybrid: Gold Medal for innovation at Agritechnica.
- ✓ Turbofarmer II: Machine of the year 2014 in the “handling and logistics” category.
- ✓ Multifarmer: Selected as a “milestone” in agriculture.

At Sima 2015, the new Medium Duty and Compact Turbofarmer modular range was crowned Machine of the Year 2015 in the handling and logistics sector.

Merlo's factories in San Defendente di Cervasca (Cuneo)

- | | |
|---|--|
| 1. Merlo SpA main offices | 7. Final quality control |
| 2. Final assembly lines | 8. Technological centre |
| 3. Lines for assembling components and cabs | 9. Iron and steel centre and structural assembly lines |
| 4. Moulding of technopolymers | 10. 3M attachments |
| 5. Automated storage and shipping centre | 11. CFRM (Training & Research Centre) |
| 6. Shipping centre for machines and attachments | |





Merlo in figures



- > 1,100 employees
- Overall surface area of 300,000 m² of which 220,000 m² are indoors
- 90% of turnover generated by exports
- 600 dealers all over the world
- 8% of turnover invested in Research & Development
- 55 robots



New automated, high-precision, dual-robotics centre



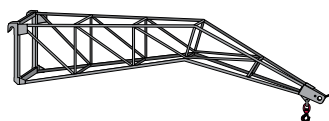
Attachments

Merlo adopts simple yet effective guidelines in terms of product evolution. The new P30.10 model uses original, dedicated Merlo attachments specifically designed for this machine. This standard makes it possible to use tested and interchangeable production attachments to allow for targeted use, with the intention of facilitating the work and reducing its execution times.

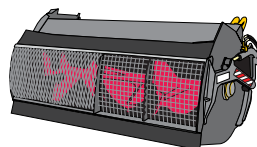
CARRIAGE-MOUNTED HOOK



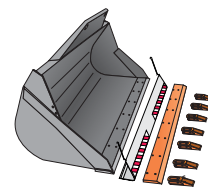
FLY JIB



MIXING BUCKET FOR CONCRETE



DIGGING BUCKET



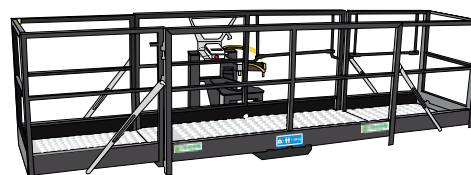
LIFTING BOOM



WINCH



THREE-SIDED EXTENDIBLE PLATFORM



New Stabilised P30.10

Data, features and illustrations contained in this document are only indicative and not binding. Merlo Spa pursues a policy of continual research and development, therefore our products may have characteristics that are different from those described or may be subject to modification without prior notice. The products illustrated may include optional equipment.



MERLO S.P.A.

Via Nazionale, 9 - 12010 S. Defendente di Cervasca - Cuneo - Italia

Tel. +39 0171 614111 - Fax +39 0171 684101

www.merlo.com - info@merlo.com

P3010EN 0416